

## SUITABLE FOR MODEL



IMAGE MAY VARY FROM ACTUAL PRODUCT

### SAFETY INSTRUCTION

**READ CAREFULLY BEFORE INSTALLING FIXTURE. PLEASE KEEP THIS MANUAL FOR FUTURE USE.**

Fixtures must be wired in accordance with the National Electrical Code and all applicable local codes. Proper grounding is required for safety.

**THIS PRODUCT MUST BE INSTALLED IN ACCORDANCE WITH THE APPLICATION CODE BY A PERSON FAMILIAR WITH THE CONSTRUCTION AND OPERATION OF THE PRODUCT AND THE HAZARDS INVOLVED. MAKE CERTAIN POWER IS OFF BEFORE INSTALLING OR MAINTAINING FIXTURE.**

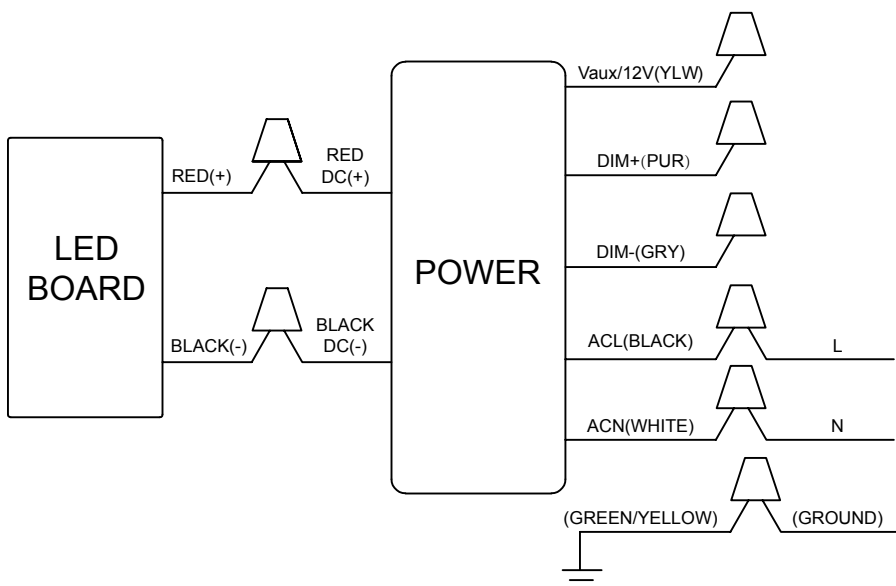
**CHECK THAT VOLTAGE IS COMPATIBLE WITH FIXTURE DRIVER. USE APPROVED CONNECTORS FOR ALL ELECTRICAL CONNECTIONS.**

### Maintenance Caution

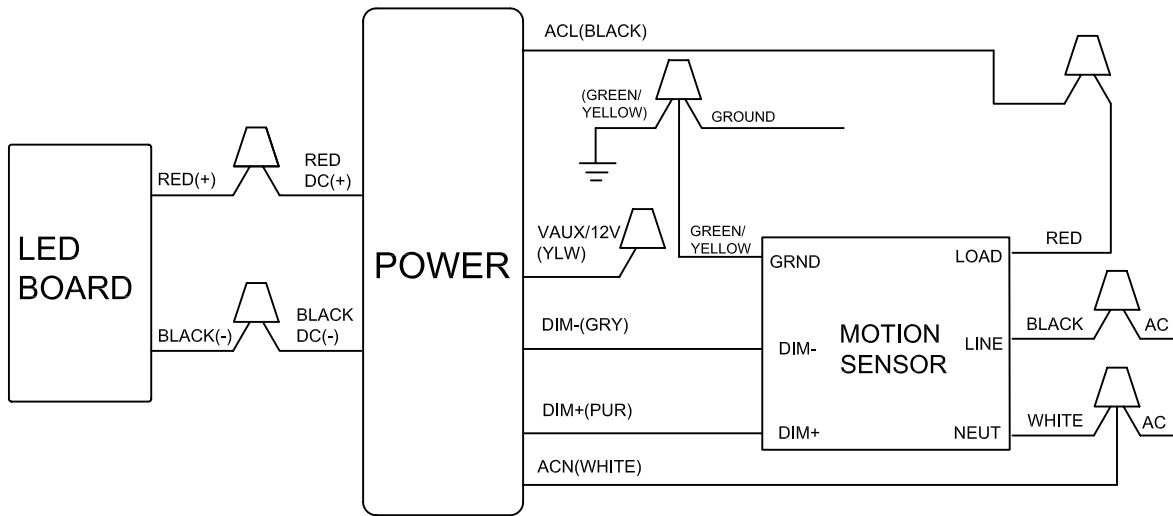
1. Review the wire connection before beginning, and make sure fixture is grounded properly.
2. For lighting controls, follow control instructions carefully.
3. Turn power off and wait for fixture to cool before performing maintenance.
4. Maintenance must be done by professionals.

## WIRE CONNECTION

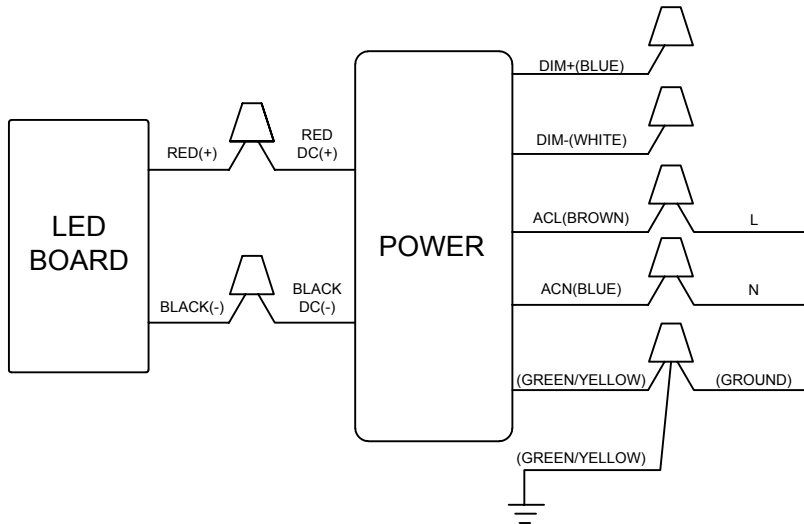
35W 120-277V 347/480V



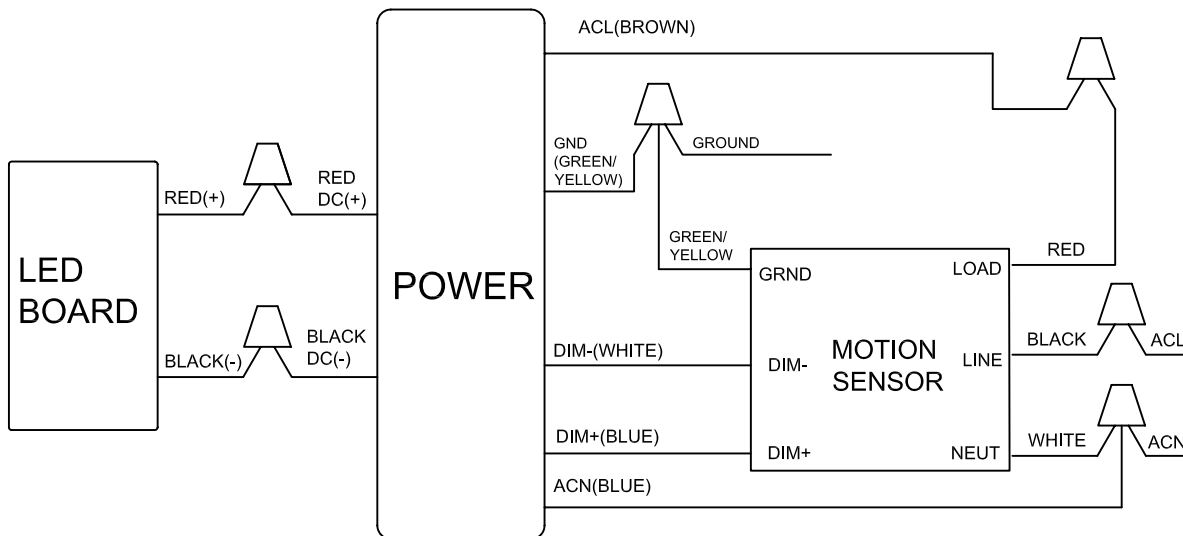
## 35W WITH MOTION SENSOR 120-277V



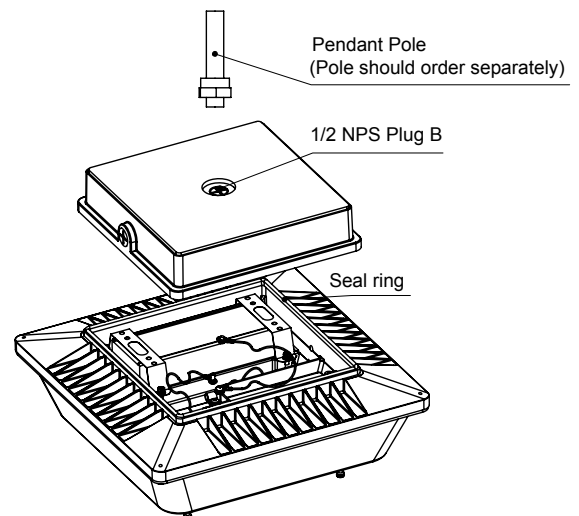
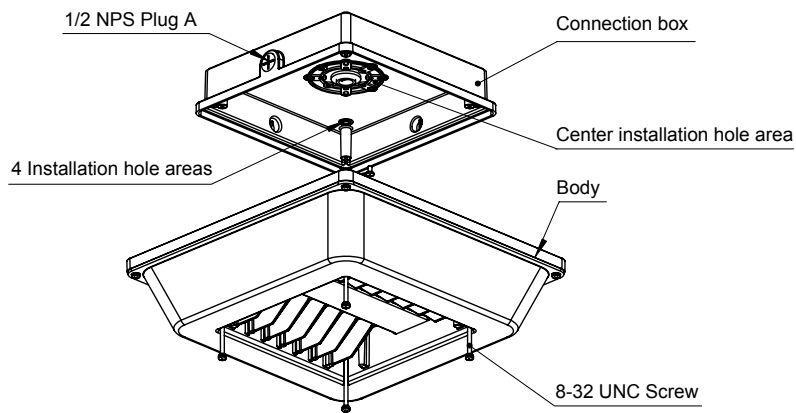
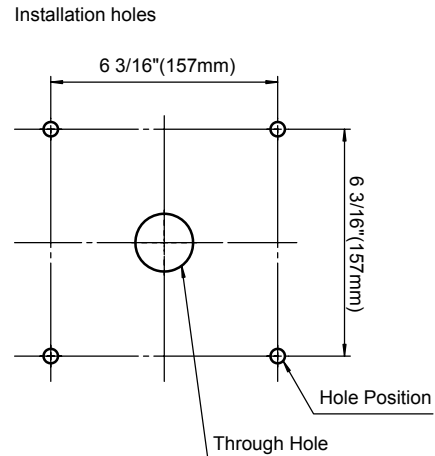
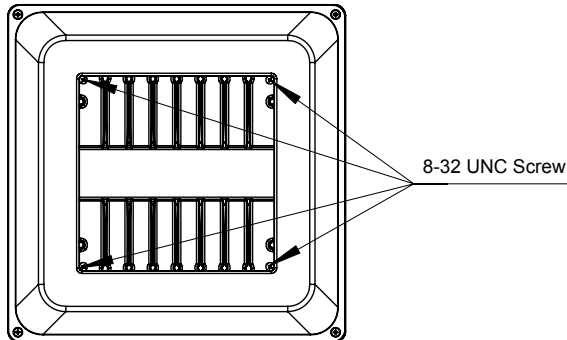
## 70W 120-277V 347/480V



## 70W WITH MOTION SENSOR 120-277V



## INSTALLATION



1. Untie two 8-32 UNC screws from the body, and open the connection box.
2. Surface Mount:  
Drill installation holes in the center installation hole areas, or in the four corners installation hole areas, then attach the connection box on the wall.  
Pendant Mount:  
Remove the 1/2 NPS plug B, then attach the connection to the pendant pole(Pole should order separately.)
3. Connect with the AC wire of power in the connection box.
4. Attach four 8-32 UNC screws to the connection box and tighten the screws. Make sure the seal ring is in the right place before tightening the screws.